

## TECHNICAL SPECIFICATIONS



**LPOESW4**

**LPOESW8**

**LPOESW16E**

Liberty Unmanaged Gigabit PoE Switches are offered in 4, 8 and 16ch models, provide up to 30W PoE power per PoE port and include RJ45 and SFP uplink ports.

	FEATURES	LPOESW4	LPOESW8	LPOESW16E
Network Parameters	PoE Port Number	4x 10/100/1000 Mbps	8x 10/100/1000 Mbps	16x 10/100/1000 Mbps
	Uplink Ports	1x RJ-45 10/100/1000 Mbps + 1x Gigabit SFP		2x Gigabit Combo RJ-45/SFP
	Port Type	RJ45 Adaptive, Full Duplex, MDI-MDIX Auto Negotiation		
	Ethernet Standards	IEEE 802.3 / 802.3u / 802.3af / 802.3at	IEEE 802.3x / 802.3 / 802.3u / 802.3ab / 802.3af,at	IEEE 802.3 / 802.3i / 802.3u / 802.3ab / 802.3z / 802.3af,at
	Cable Type	CAT5E or Better		
	Forwarding Mode	Store & Forwarding - Supports Port Isolation		
	MAC Address Table	2K MAC Address table	4K MAC Address table	8K MAC Address table
	Switching Capacity	12G	20G	36G
	Packet Forwarding Rate	8.93 Mpps	14.88Mpps	26.784Mpps
	Internal Cache	1 Mbits	1.5 Mbits	4.1 Mbits
POE Parameters	PoE Standard	IEEE 802.3af, IEEE 802.3at		
	POE Power Pin	V+(RJ45 Pin 1,2), V-(RJ45 Pin 3,6)		
	POE Ports	1 ~ 4	1 ~ 8	1 ~ 16
	Maximum Port Power	30W per port		
	PoE Power Budget	60W	120W	250W
	Transmission Distance	100 Meters		100M Normal/V-LAN Mode, 250M Extend Mode
	Extend Mode (250M)	N/A	N/A	Yes - Switch Selectable
	Extend Mode Bandwidth	N/A	N/A	Yes - Limited to 10Mbps per PoE Port
V-Lan Mode	Yes - Switch Selectable (POE ports can only communicate with uplink ports when V-LAN mode is activated)			
LED Indicators	LINK / ACT	On/Green	Port is Connecting	
		Blinks	The port is receiving or transmitting data	
		Off	The port is not linked successfully with the device	
	PoE	On/Green	PD is connected	
	On	No PD is connected or power forwarding fails		
General	Housing / Color	Gray	Gray	Black
	Weight	Switch and power supply 0.71kg / 1.56lb	Switch and power supply 1.09kg / 2.39lb	switch and cord 3.06kg / 6.75lb
	Dimensions [ W x D x H ]	139 x 91.5 x 29mm	218 x 107 x 29mm	440 x 200 x 44mm
	Mounting	Side brackets for Wall or Desk Mounting		1U Rack Mounting - Includes Rack Ears
	Certifications	CE/FCC		CE/FCC/UL
	Operating Temp	0° ~ 40°C / 32° ~ 104°F		
	Power Supply	External DC 48V, 1.35A	External DC 52V, 2.3A	Internal AC100~240V
	Max Power Consumption (AC120V)	2.4 W (no power device connected) 75 W (with 65 W power devices connected)	3.1 W (no power device connected) 146 W (with 125 W power devices connected)	15.2 W (no power device connected) 300W (with 260 W power devices connected)
Environment	Indoor Only			

### FEATURES:

- ◆ 10/100/1000 Mbps PoE Ports
- ◆ 1x Gigabit RJ-45 & SFP Uplink Ports (4, 8Ch.)
- ◆ 2x Gigabit Combo RJ-45/SFP Ports (16Ch.)
- ◆ Meets IEEE 802.3af/at Standards
- ◆ Max 30W Per PoE Port
- ◆ 60W, 120W, 250W PoE Budget (4, 8, 16 Ch)
- ◆ V-LAN Mode for All Models
- ◆ 250M Extended Range Mode (16Ch.)
- ◆ Desk/Wall Mount Bracket Included (4, 8Ch.)
- ◆ Rack Mounting Hardware Included (16 Ch)

### INCLUDED ACCESSORIES:

1. User Manual
1. AC Power Cable
1. DC48V External Power Supply (4, 8Ch.)
1. Desk/Wall Bracket & Hardware (4, 8Ch.)
1. Rack Mounting Bracket & Hardware (16Ch.)

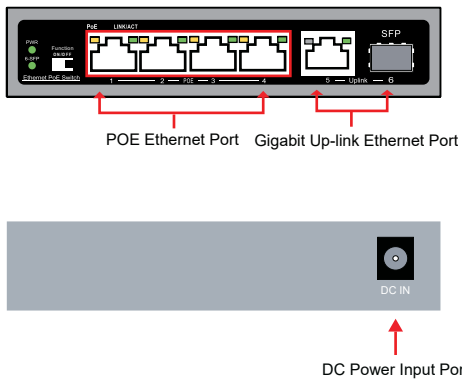
LPOESW4

LPOESW8

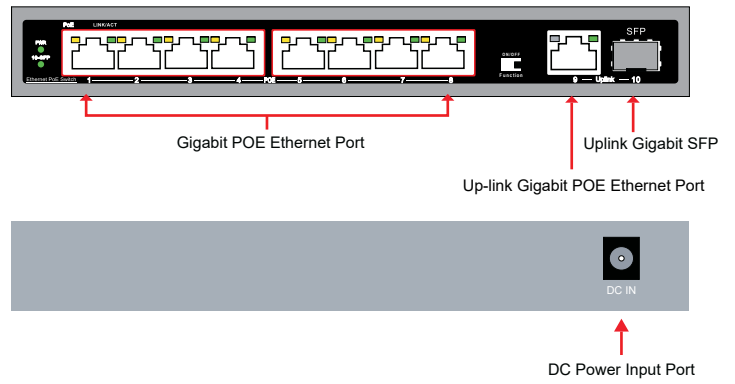
LPOESW16E

## POE FEATURES & CONNECTIONS

LPOESW4



LPOESW8



LPOESW16E

